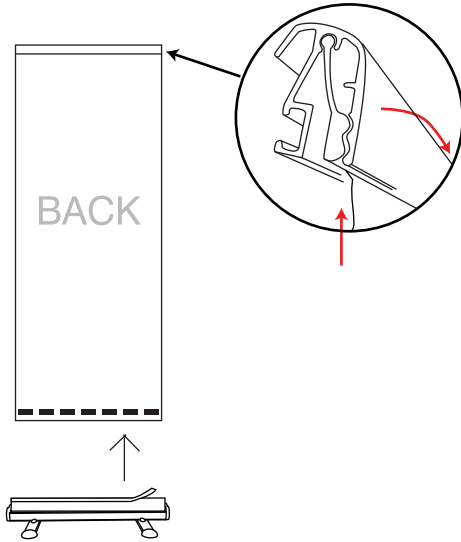


► **Thunder 2**

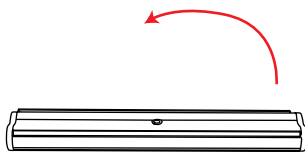
**Attaching Graphic**

1.

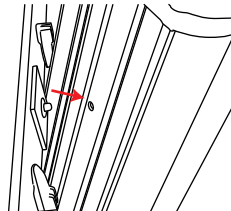


**Assemble**

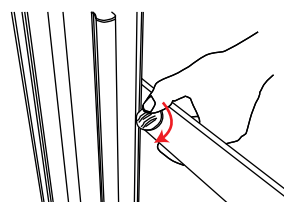
1.



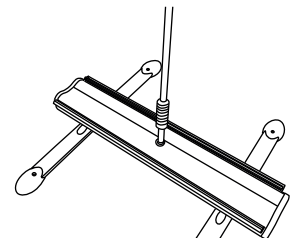
2.



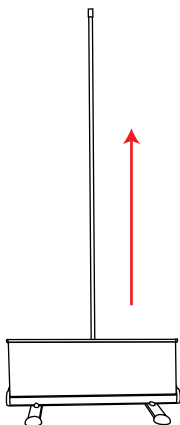
3.



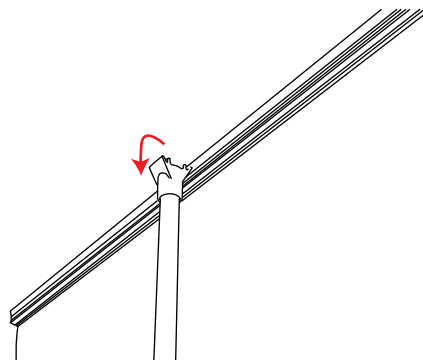
4.



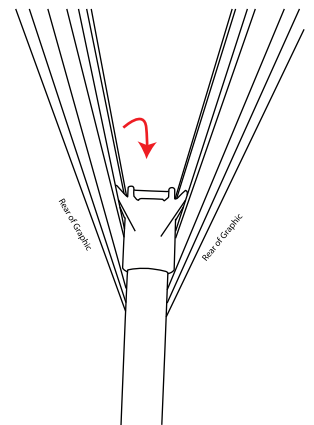
5.



6.



7.



\* We are continually improving and modifying our product range and reserve the right to vary the specifications without prior notice. All dimensions and weights quoted are approximate and we accept no responsibility for variance.

# Thunder 2

*This template is supplies at 25% of finished size.*

## NON-VISIBLE AREA

This area will go into the mechanism, and will not be seen, so no images or logos to go inside this area.