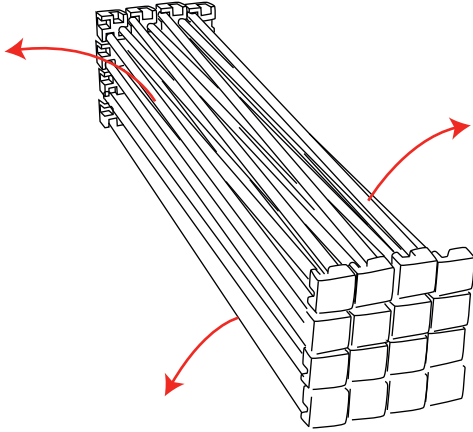
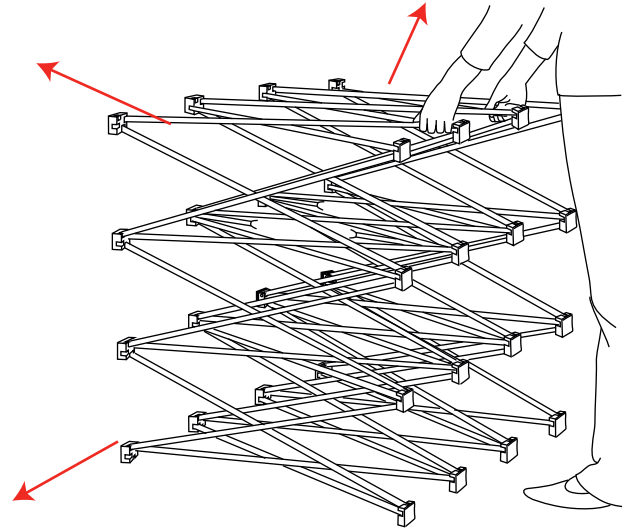


► Emrace SEG

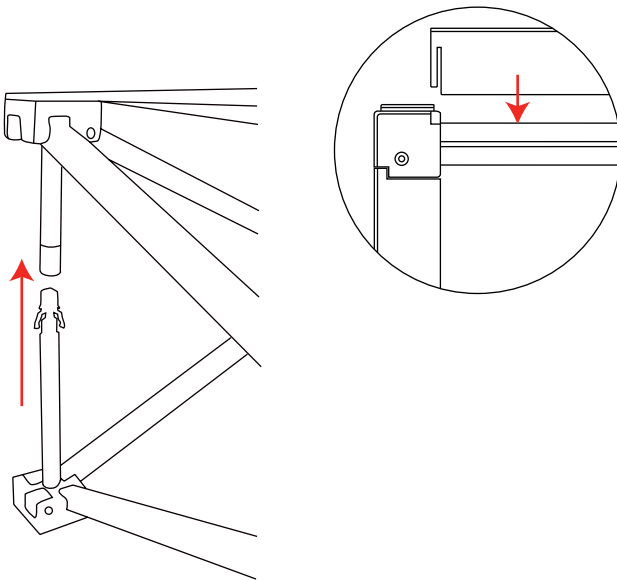
1.



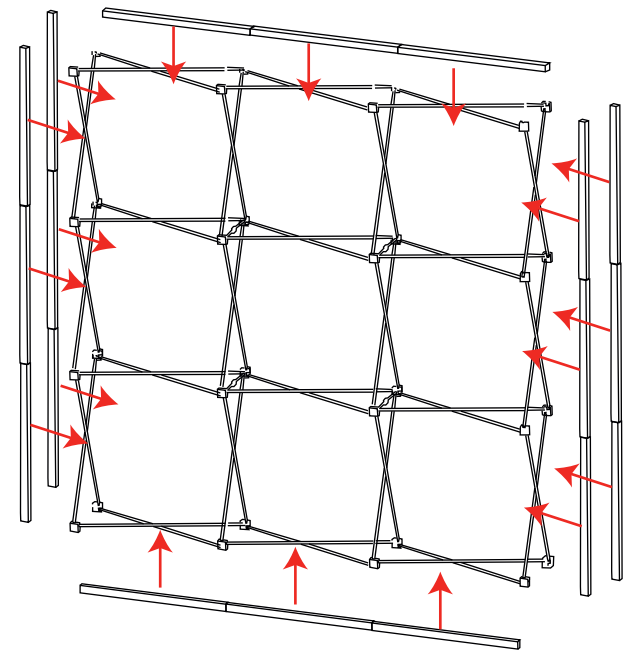
2.



3.



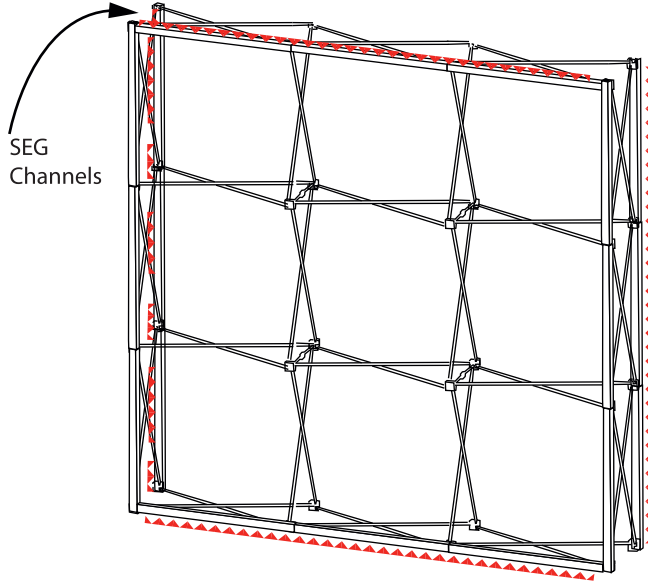
4.



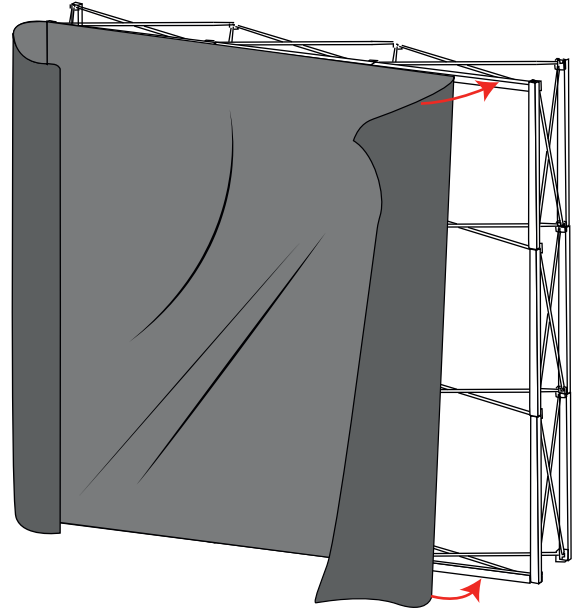
* We are continually improving and modifying our product range and reserve the right to vary the specifications without prior notice. All dimensions and weights quoted are approximate and we accept no responsibility for variance.

Attaching Graphic

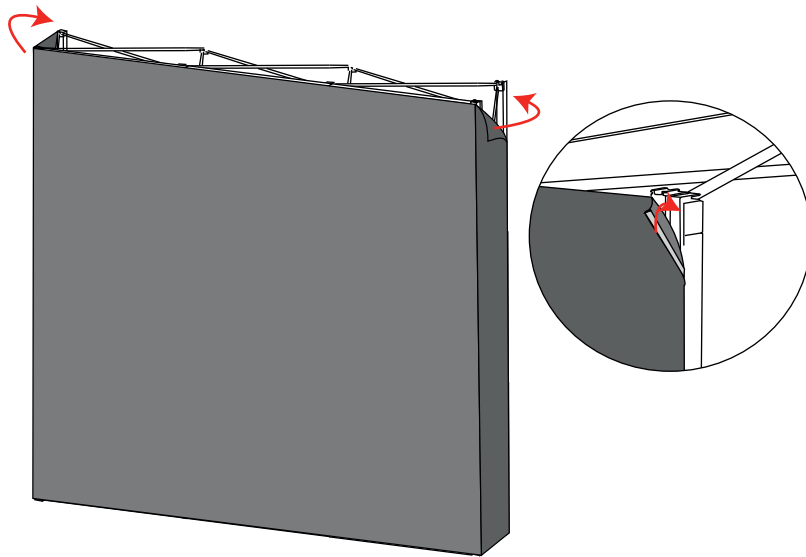
1. Begin assembly with frame flat on floor. Locate white hubs and position this side face up.



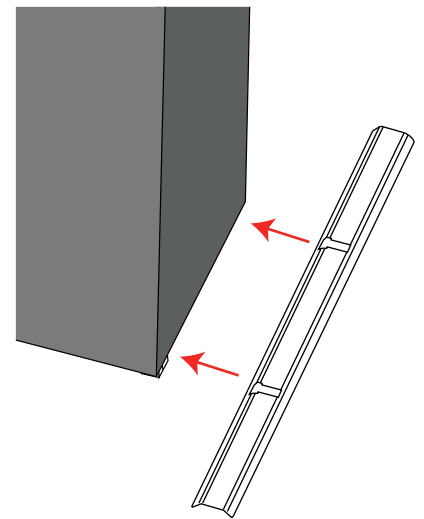
2.



3.



4.



* We are continually improving and modifying our product range and reserve the right to vary the specifications without prior notice. All dimensions and weights quoted are approximate and we accept no responsibility for variance.

ENDCAPS

Embrace SEG 3x1

This template is supplies at 25% of finished size.

ENDCAPS

Keep important
Type and Logo's
inside the
Green Boxes.

ENDCAPS

Embrace SEG 3x2

This template is supplies at 25% of finished size.

ENDCAPS

Keep important
Type and Logo's
inside the
Green Boxes.

ENDCAPS

ENDCAPS

Embrace SEG 3x3

This template is supplies at 25% of finished size.

Keep important
Type and Logo's
inside the
Green Boxes.

ENDCAPS

Embrace SEG 3x4

This template is supplied at 25% of finished size.

ENDCAPS

Keep important
Type and Logo's
inside the
Green Boxes.