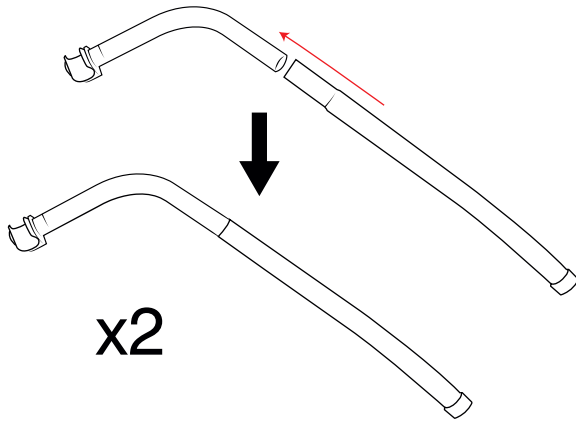
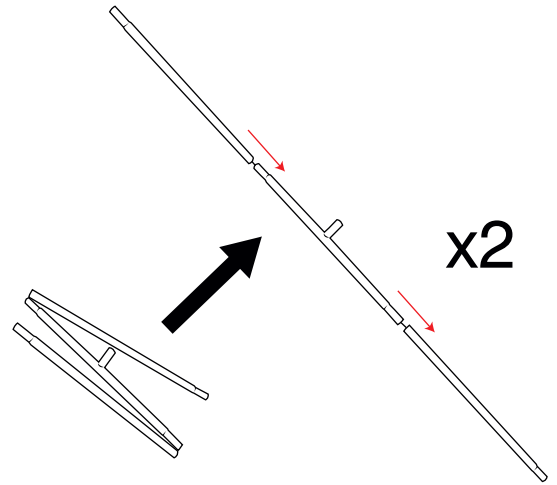


► Formulate Vertical Curve

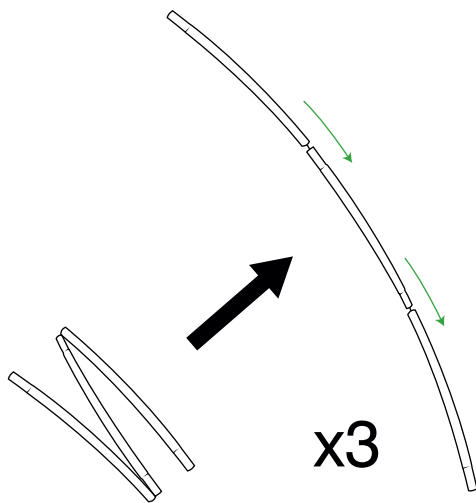
1.



2.

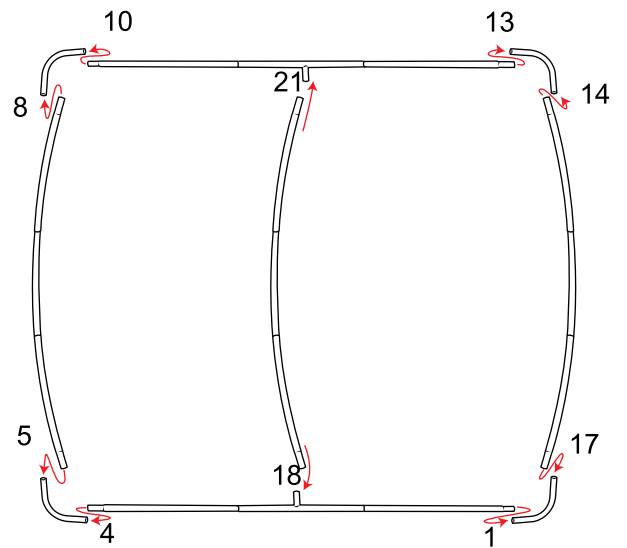


3.



Note: Central pole is longer

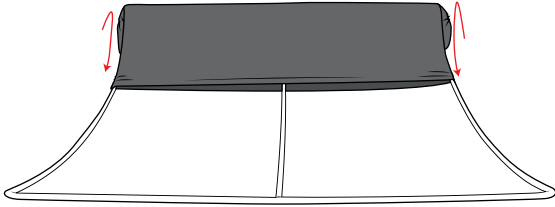
4.



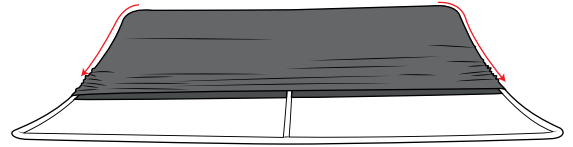
* We are continually improving and modifying our product range and reserve the right to vary the specifications without prior notice. All dimensions and weights quoted are approximate and we accept no responsibility for variance.

Attaching Graphic

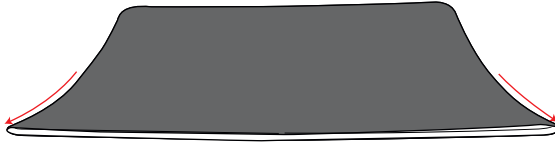
1.



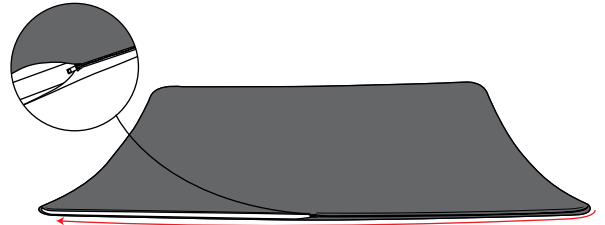
2.



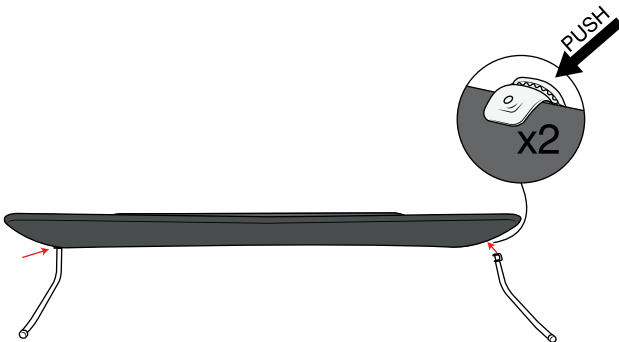
3.



4.



5.



* We are continually improving and modifying our product range and reserve the right to vary the specifications without prior notice. All dimensions and weights quoted are approximate and we accept no responsibility for variance.

Formulate vertical curve 3,0 m

This template is supplies at 25% of finished size.

Reverse